

KIT  
**BIG  
DIAMETERS**

from  $\emptyset$  400 mm to  $\emptyset$  1200 mm (15,75" - 47,24")



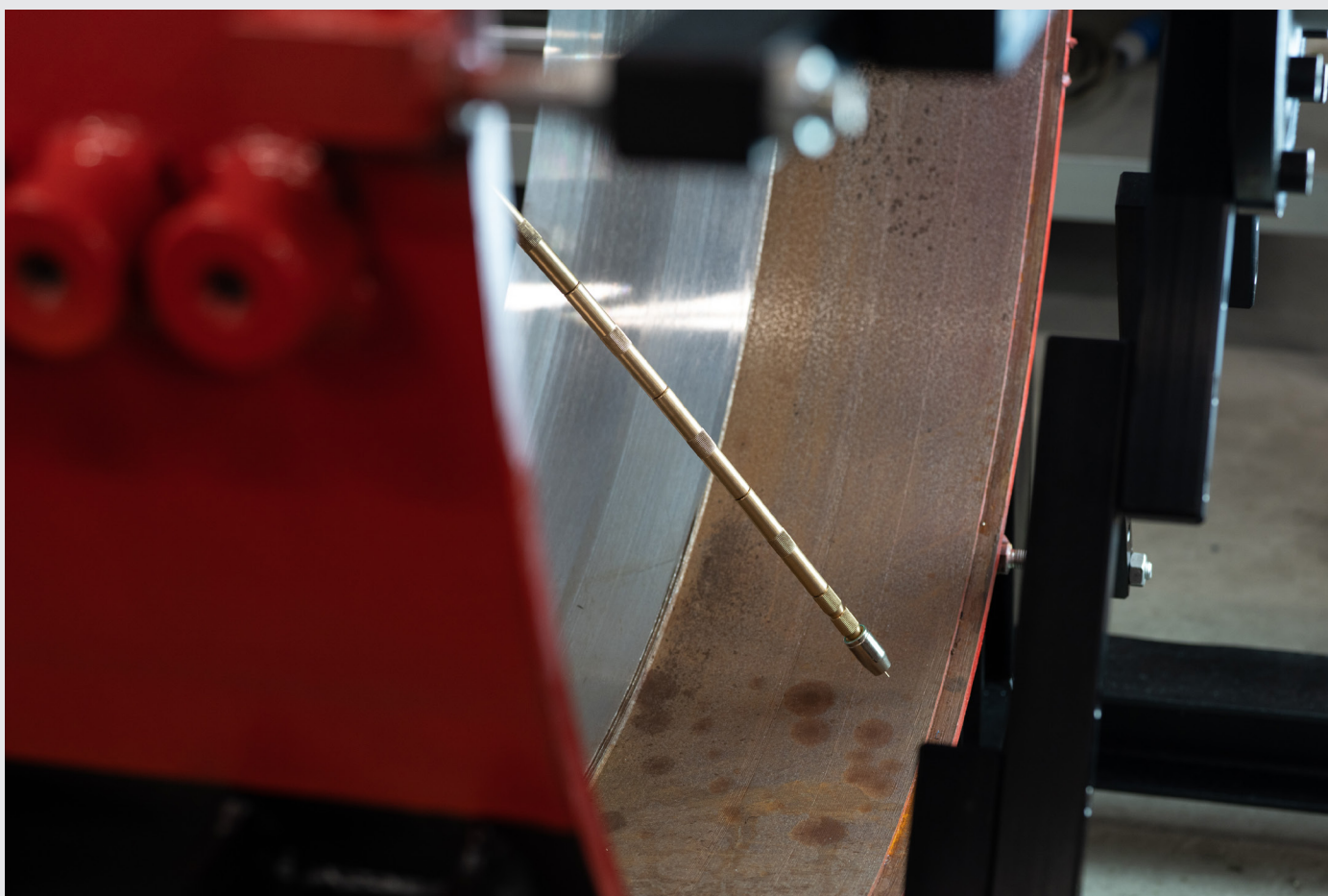
# BIG DIAMETERS

The kit is designed to extend the standard machining range of the portable line boring machine **Supercombinata**, allowing internal boring and internal overlay welding from **Ø 400 mm to Ø 1200 mm**.

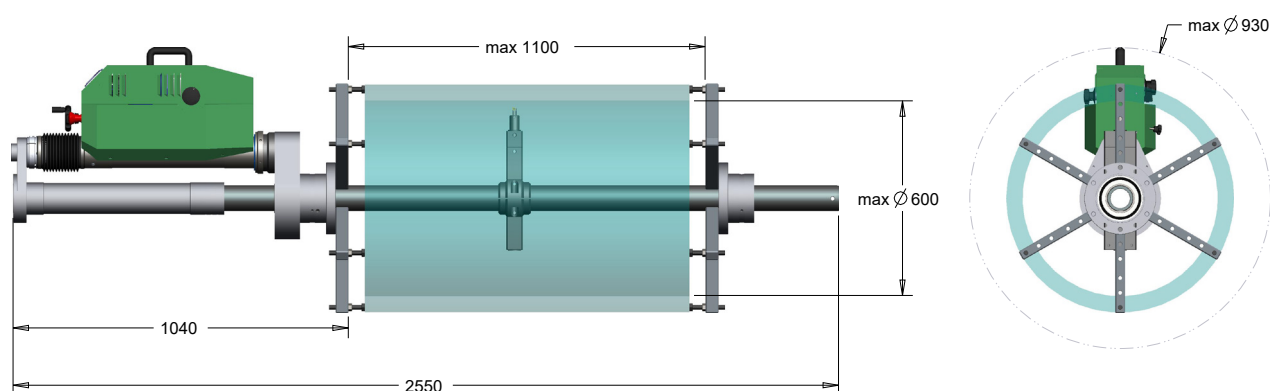
## MODELS

KED00180	SC1	Ø 400 - 600 mm (15,75" - 23,62")
KED00360	SC2	Ø 600 - 800 mm (23,62" - 31,50")
KED00366	SC3	Ø 800 - 1200 mm (31,50" - 47,24")





## KEL00180



Working range:

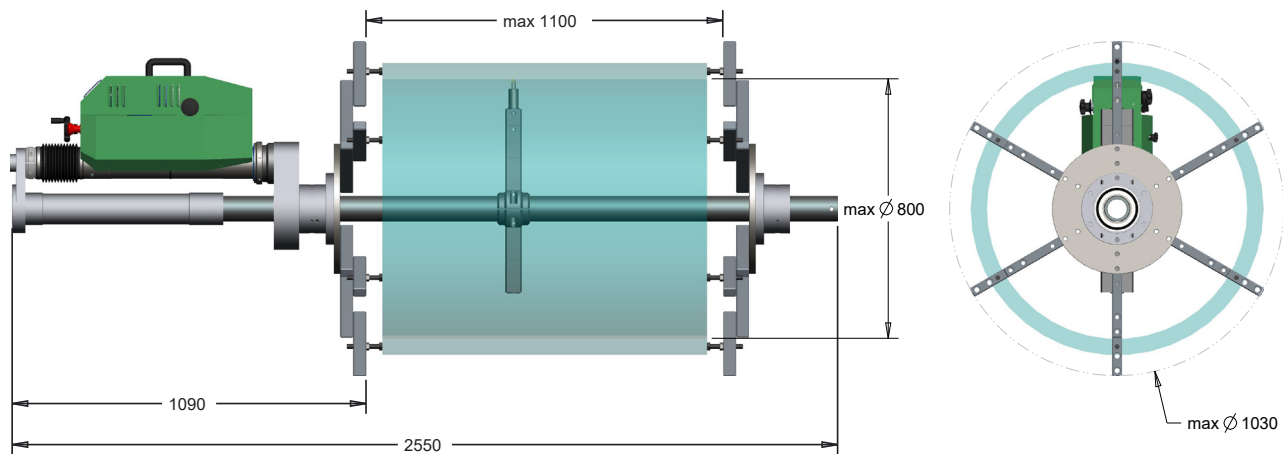
D.min = 400 mm

D.max = 600 mm

Stroke: in steps of 350mm

Max. machinable length = 1000 mm

## KEL00360



Working range:

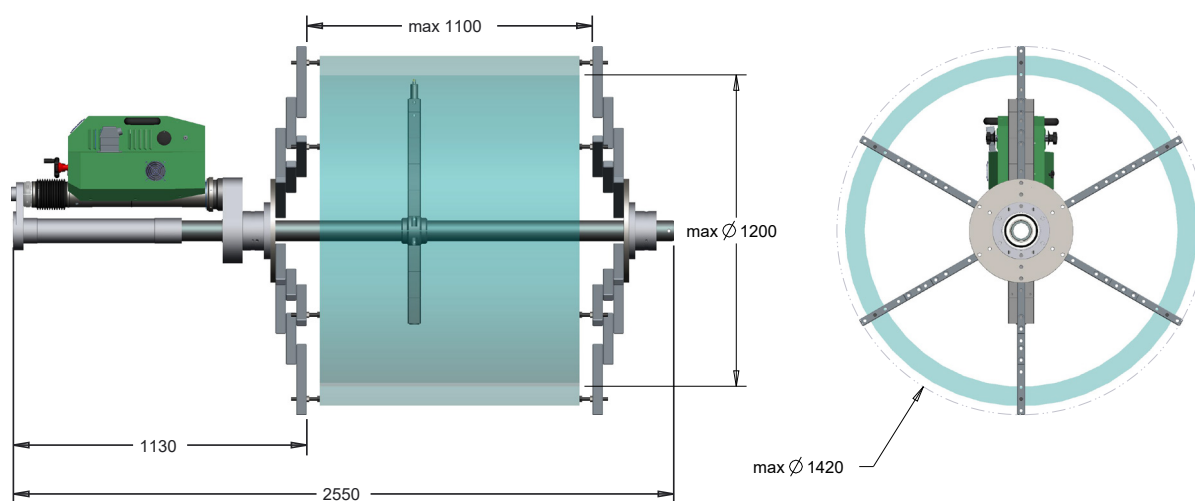
D.min = 600 mm

D.max = 800 mm

Stroke: in steps of 350mm

Max. machinable length = 1000 mm

## KEL00366



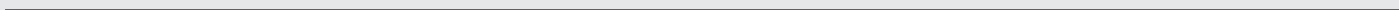
Working range:

D.min = 800 mm

D.max = 1200 mm

Stroke: in steps of 350mm

Max. machinable length = 1000mm





# Stessen kotter- machines

[www.kottermachines.nl](http://www.kottermachines.nl)  
[info@stessen.com](mailto:info@stessen.com)  
+31(0)45-5445588

Sourethweg 5D - 6422PC Heerlen



Elsa Srl  
Località La Petrizia SS 106  
88050 Sellia Marina (CZ) - Italia  
Tel: (+39) 0961 962854  
Fax: (+39) 0961 968716  
[info@elsasrl.com](mailto:info@elsasrl.com)

[www.elsasrl.com](http://www.elsasrl.com)

EN

BIG DIAMETERS